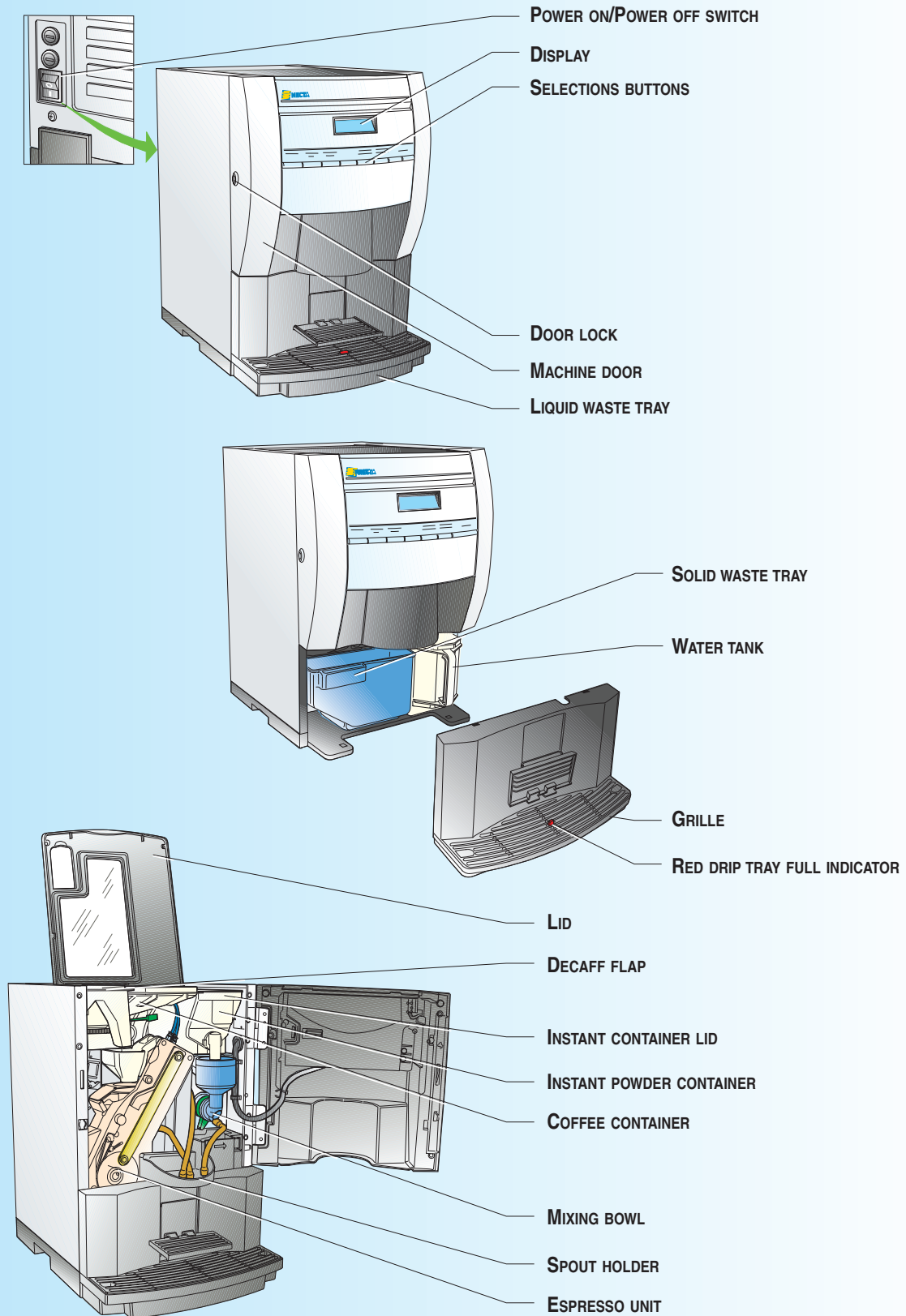


Below there are some simple instructions for loading and cleaning your machine.


INSTRUCTIONS

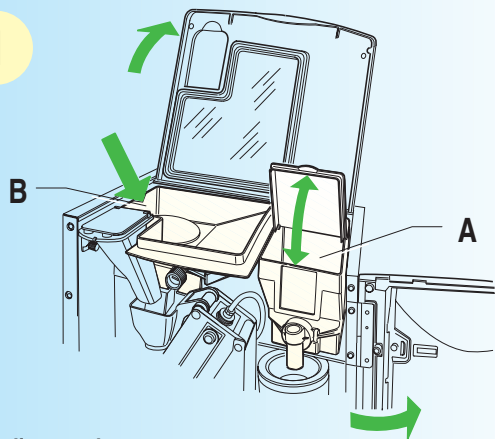

Operations to do with the machine turned ON.



CLEANING / LOADING

LOADING

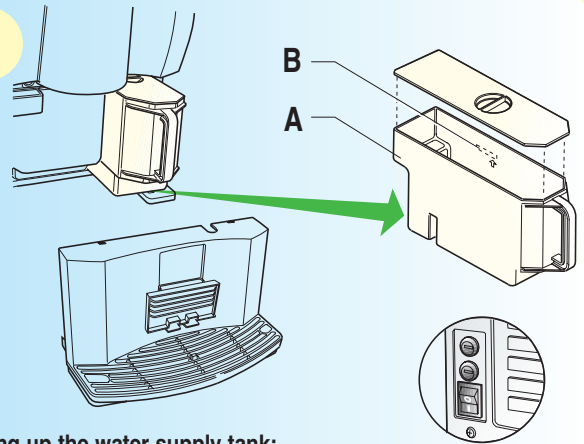
1



Loading products:

- Open the dispenser door.
- Lift the lid and open the instant powder container's lid (A).
- Load the product in (A), taking care not to compact the instant powder.
- Load container (B) with coffee beans.

2

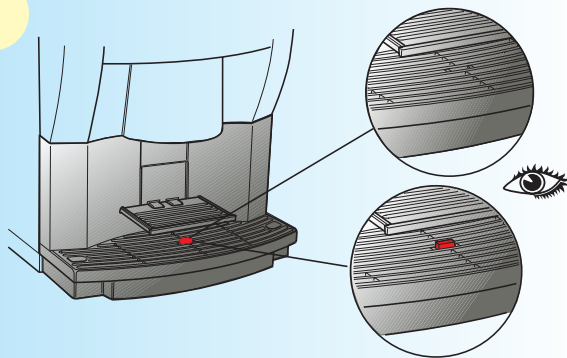


Filling up the water supply tank:

- Remove the liquid waste tray.
- Remove the water tank (A) by pulling on its handle.
- Fill the tank with drinking water up to the maximum level (B).
- Fit both the water tank and the liquid waste tray back into place.

REGULAR CLEANING

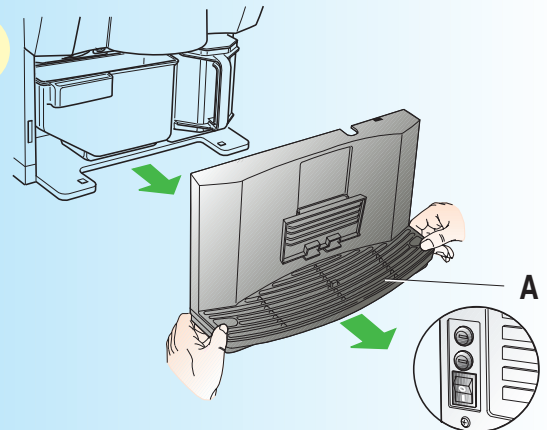
1



Emptying the liquid waste tray:

When the red float signal lifts up through the grille, it is necessary to empty the liquid waste tray immediately. The dispenser will then work normally. **It is advisable not to wait until the red drip tray full indicator is visible. It is recommended that the liquid waste tray is emptied regularly.**

2

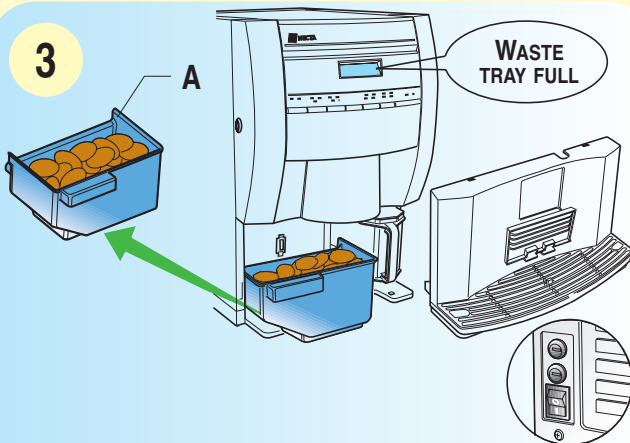


Emptying the liquid waste tray:

- Take hold of the sides of the liquid waste tray (A) firmly, then lift slightly and pull forward.
- Empty the tray and if necessary, wash it using a mild detergent solution.
- Re-fit the tray back into position.

REGULAR CLEANING

3

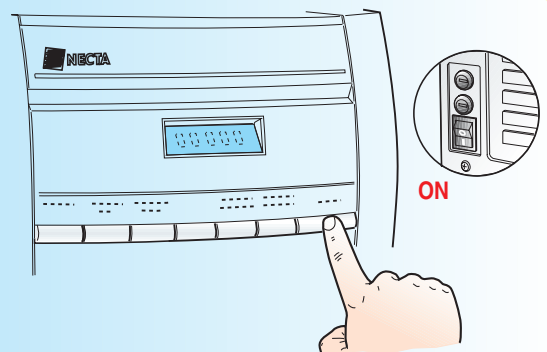


Emptying the solid waste tray:

When the "WASTE TRAY FULL" message appears on the display, the solid and liquid waste trays require emptying:

- Take hold of the sides of the liquid waste tray firmly, lift and pull.
- Remove the solid waste tray (A) and empty it.
- Fit both the solid and the liquid waste trays back into position.

4

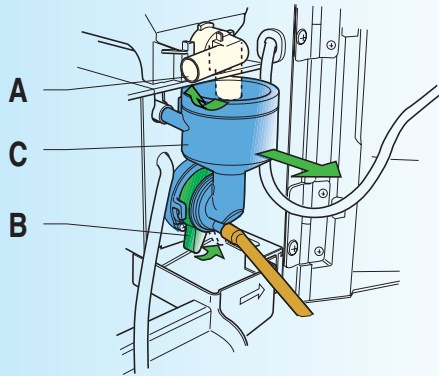


Rinsing the mixer:

- Press and hold the last selection button for 3 seconds.
 - When "Password" appears on the display.
 - Enter password for rinse function.
- The mixer rinsing cycle must be carried out regularly or after loading the instant powder.**

DEEP CLEANING

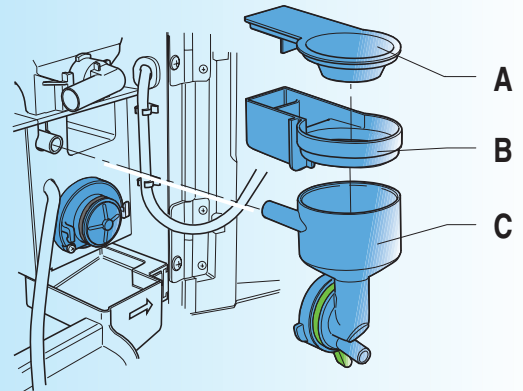
1



Removing and sanitising the mixer:

- Detach tube from mixer.
- Rotate the product dispensing nozzle (A) upwards to make operation easier.
- Rotate the lever (B) anticlockwise.
- Take hold of the mixer assembly (C) firmly, and pull.

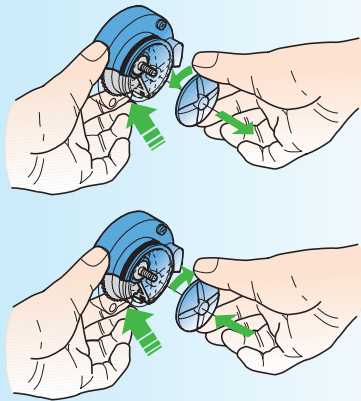
2



Removing and sanitising the mixer:

- Separate all the mixer assembly components: product funnel (A), powder deposit drawer (B), mixing bowl (C).
- Wash, rinse and dry completely.

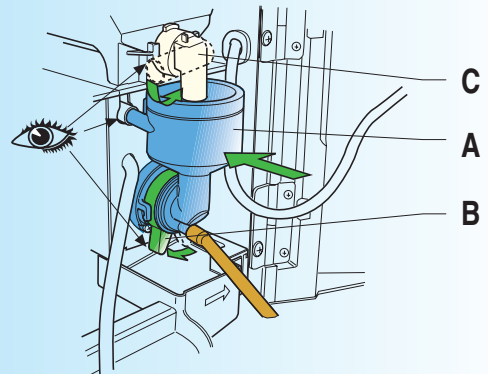
3



Removing and sanitising the mixer:

- To remove mixer impellers, use a finger to hold the cogged disk fitted on the mixer shaft below the mixer chamber and unscrew the impeller.
- Thoroughly wash and clean all of the removed components.
- Reassemble the impeller.

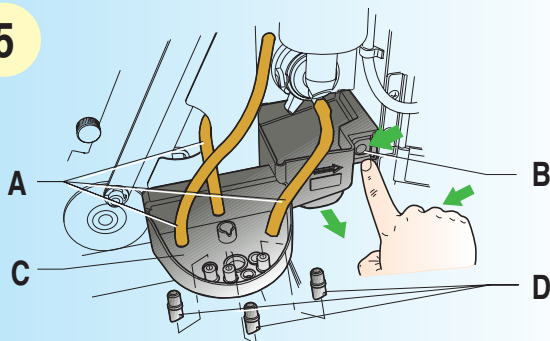
4



Reassemble the mixer:

- Reassemble all the mixer (A) components.
- Rotate the lever ring (B) clockwise to lock the mixer onto the dispenser.
- Rotate the product dispensing nozzle (C) back down again.
- Connect the tube to the mixing bowl.

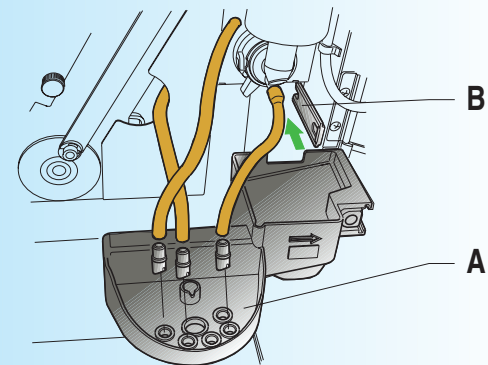
5



Cleaning the dispensing spouts:

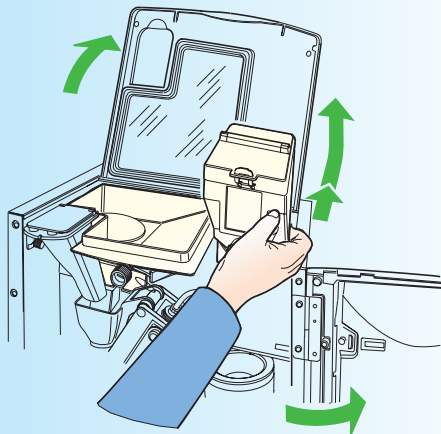
- Detach the tubes (A) from the dispensing spouts.
- Press pushbutton (B) to release the dispensing spouts carrier plate (C).
- Detach the dispensing spouts (D) from spout holder (C).
- Thoroughly, wash and clean all the relative components.

6

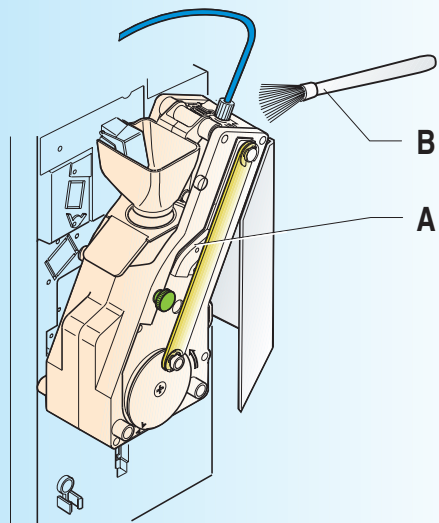


Assembling of the dispensing spouts carrier plate:

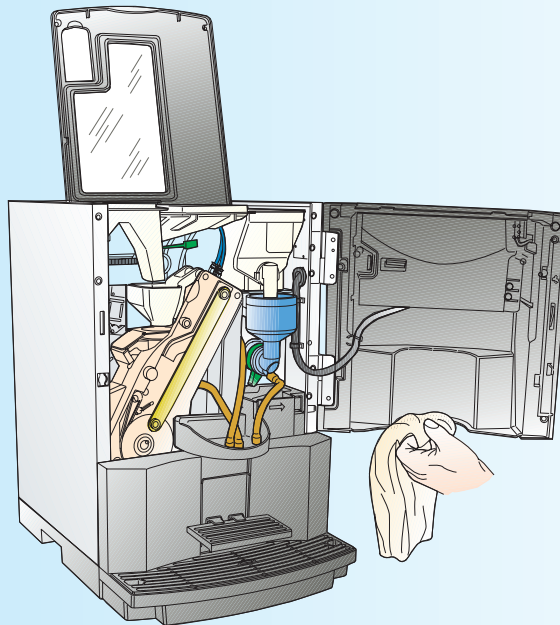
- Insert the dispensing spout holder (A) into guide (B) press until it clicks.
- Reinsert the dispensing spouts onto the spout holder and connect the tubes onto their spouts.

DEEP CLEANING
7

Instant powder container:

- Open the door of the dispenser and lift the lid.
- Lightly push back and lift the instant powder container.
- Remove it from the dispenser.
- Brush the container and base.
- Refit the container into dispenser.

8

Cleaning the espresso unit:

- Every time the unit is filled up or at least once weekly, remove any coffee residues from around the brewing unit (A).
- To do so, simply use a brush (B) or a small vacuum cleaner.

9


TO PREVENT OXIDATION OR THE ACTION OF
CHEMICAL AGENTS USE MILD DETERGENTS ONLY
(SOLVENTS MUST NOT BE USED)

Cleaning inside the machine:

- Clean the inside of the dispenser with a mild detergent solution using a damp cloth.
- Do not use scented cleaning products.